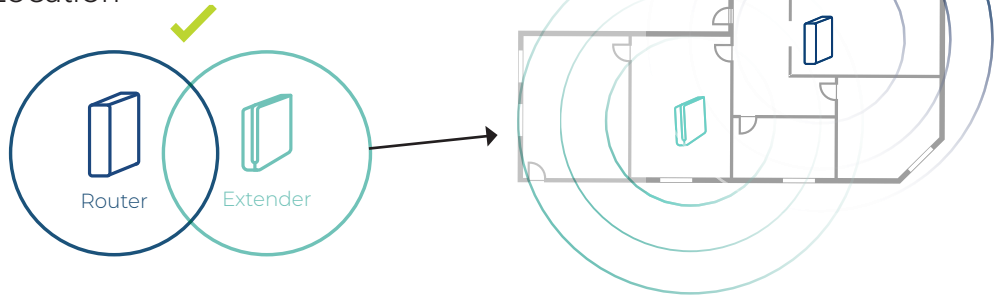


MTA totalWiFi™ EXTENDER INSTALLATION

1 Identify Your Ideal Location

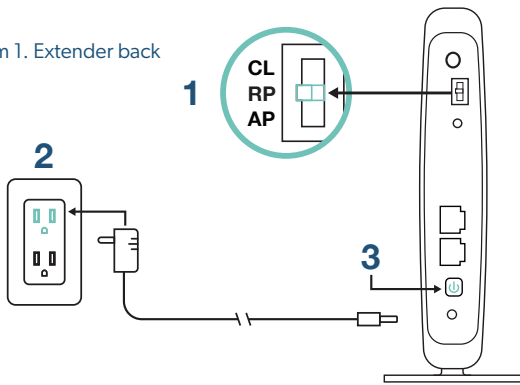
Identify a power outlet between your totalWiFi™ router and where you need to extend your WiFi. The coverage area of your totalWiFi™ router and the extender should overlap.



2 Switch to Repeater Mode and Turn On

Place your WiFi extender in repeater (RP) mode using the switch located on the back, then plug in to the outlet and turn on your extender.

Diagram 1. Extender back



3 Pair Router and Extender

The mode lamp (⦿) should flash green within a few minutes. When the mode lamp is flashing green, you are ready to pair your new extender with the totalWiFi™ router.

To complete that process, press the large button on the front of your totalWiFi™ router. Do not hold it down.

After about five seconds, 5G indicator lights will begin blinking orange. Within two minutes, push the "WPS" button on the back of your WiFi extender.

Diagram 2. Router front

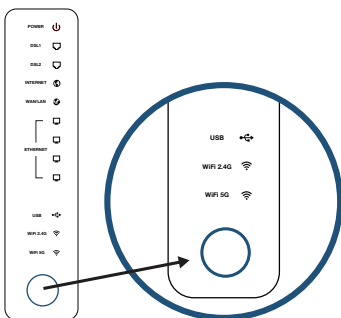
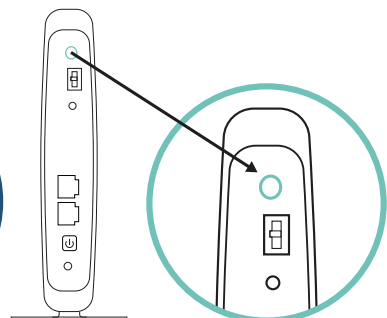


Diagram 3. Extender back



4 Complete Installation

When [signal strength icon] is solid green, orange or red the set up is complete. Once successfully paired, the extender can be moved to a more optimal location without being paired again.

- Good connection
- Move extender away from the router to increase the signal range
- Place the extender closer to the router
- Blinking red indicates no connection- Press WPS again

	WPS	Green	On	Finished
		Blinking	In progress	
	Mode	Red	On	Failed
		Green	Blinking	AP mode
		Amber	On	Failed
		Green	Blinking	Repeater mode
	5Ghz Wireless	Green	On	Wireless router/AP 5G link
		Blinking*		
	2.4Ghz Wireless	Green	On	Wireless router/AP 5G link
		Blinking*		
	LAN2	Green	On	Ethernet ready on port 2
		Blinking*		
	LAN1	Green	On	Ethernet ready on port 1
		Blinking*		
	Power	Green	On	Power on
		Off	Off	Extender is not powered

*If the light is blinking green, the extender is sending and receiving data.